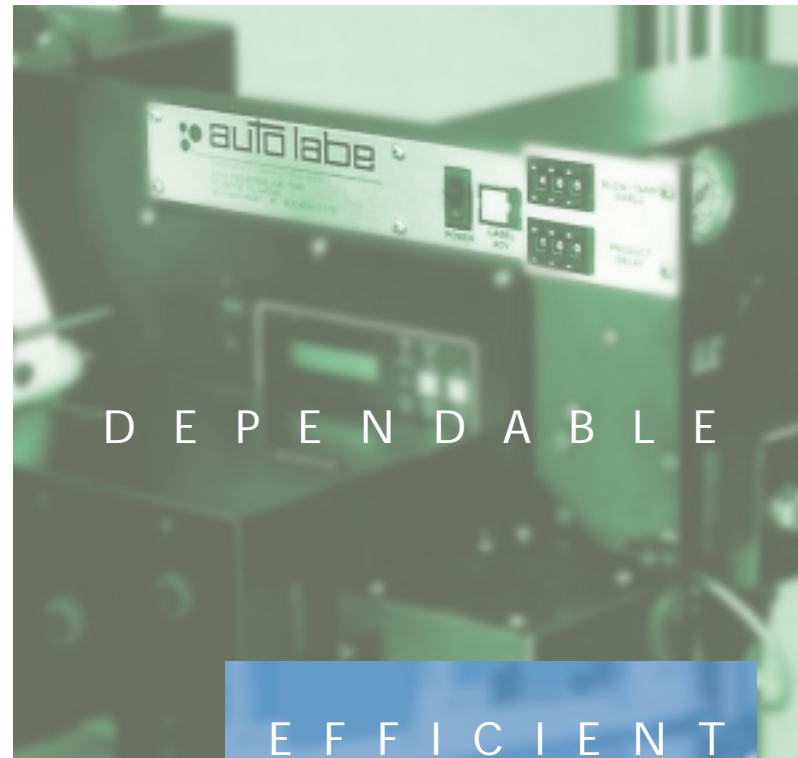
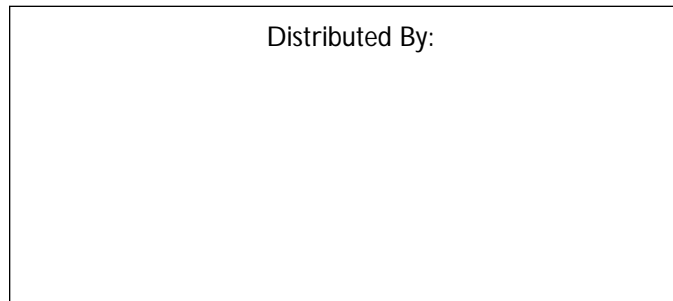


ACCESSORIES AND OPTIONS

- Photo Electric Product Sensor
- Powered Unwinder
- Wide Label Kits
- Product Spacer
- Wrap Stations
- Accumulators
- Descramblers
- Hot Stamp Imprinting
- Direct Thermal/ Thermal Transfer Printers
- Model 150 Print and Apply
- Blow-on or Tamp-down Applicators
- Stepper Motor Driven Applicators
- Custom Machines Manufactured
- Corner Wrap
- Adjacent Corner Labeling
- Variable Height Tamp
- Feed Screws
- Top Hold-Down Belt
- Secondary Wipe Down Rollers



Distributed By:



FULLY AUTOMATIC LABELING SYSTEMS



- LABEL DISPENSERS
- SEMI-AUTOMATIC LABEL APPLICATORS
- AUTOMATIC LABEL APPLICATORS
- PRINT AND APPLY LABEL APPLICATORS
- COMPLETE LABELING SYSTEMS

1-800-821-2177



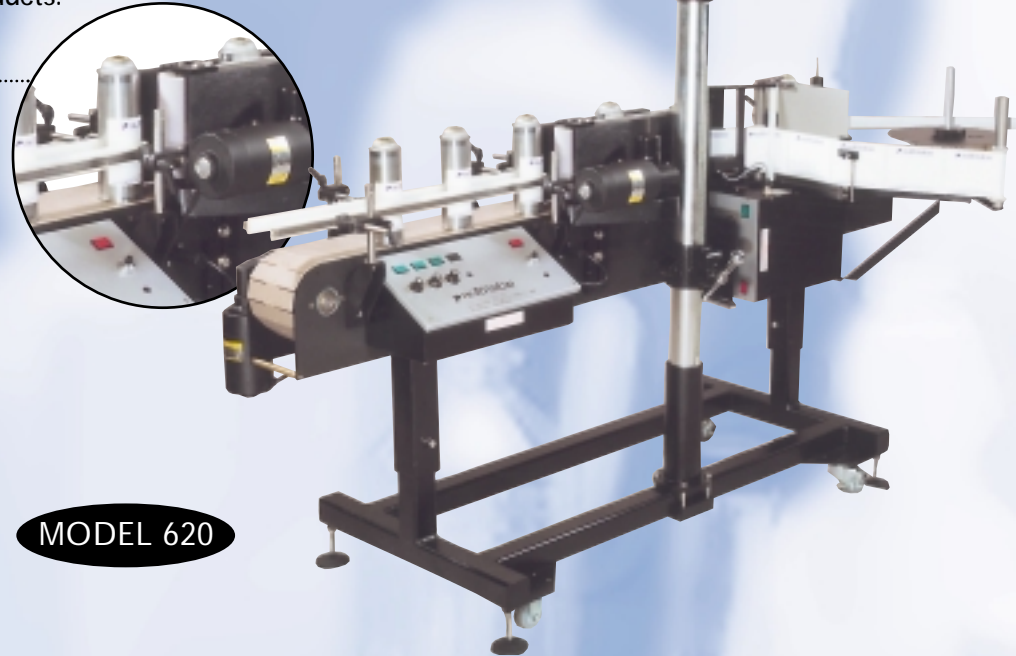
Toll Free: 1-800-821-2177

6209 Richards Dr Shawnee, KS 66216
 Telephone: 913-322-6800 • Facsimile: 913-322-1729
 E-mail: Info@MillerBevco.com
 • Web Page: www.MillerBevco.com

E-mail: Info@MillerBevco.com
 • Web Page: www.MillerBevco.com

**AUTOMATIC ONE SIDE OR ROUND
PRODUCT LABELING SYSTEM**

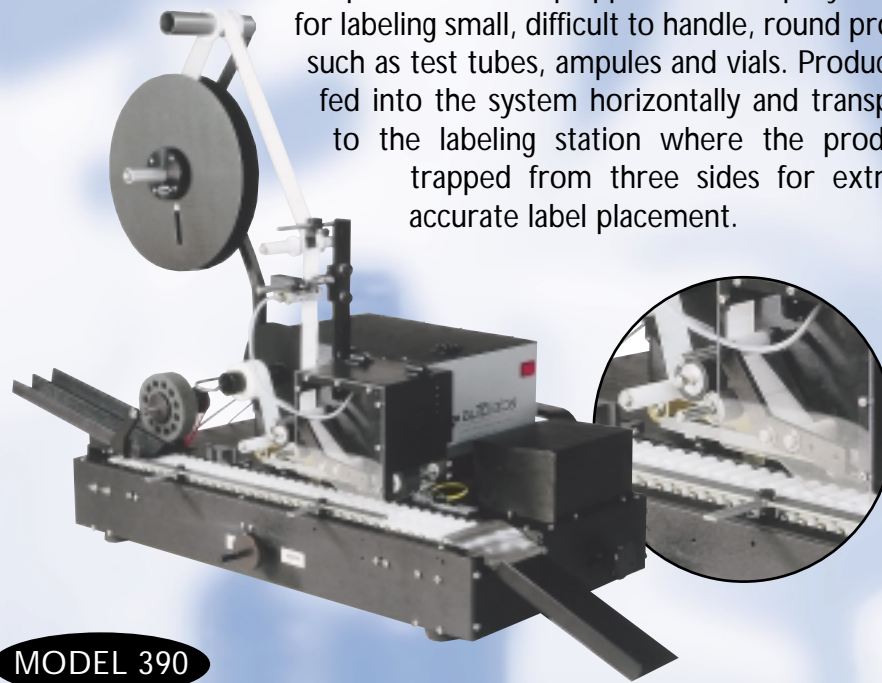
Our most popular economical conveyor system is designed for partial or full wraparound labeling of round products and one sided labeling of square or rectangular products.



MODEL 620

**AUTOMATIC HORIZONTAL
WRAPAROUND LABELING SYSTEM**

This portable tabletop approach is uniquely designed for labeling small, difficult to handle, round products such as test tubes, ampules and vials. Products are fed into the system horizontally and transported to the labeling station where the product is trapped from three sides for extremely accurate label placement.



MODEL 390

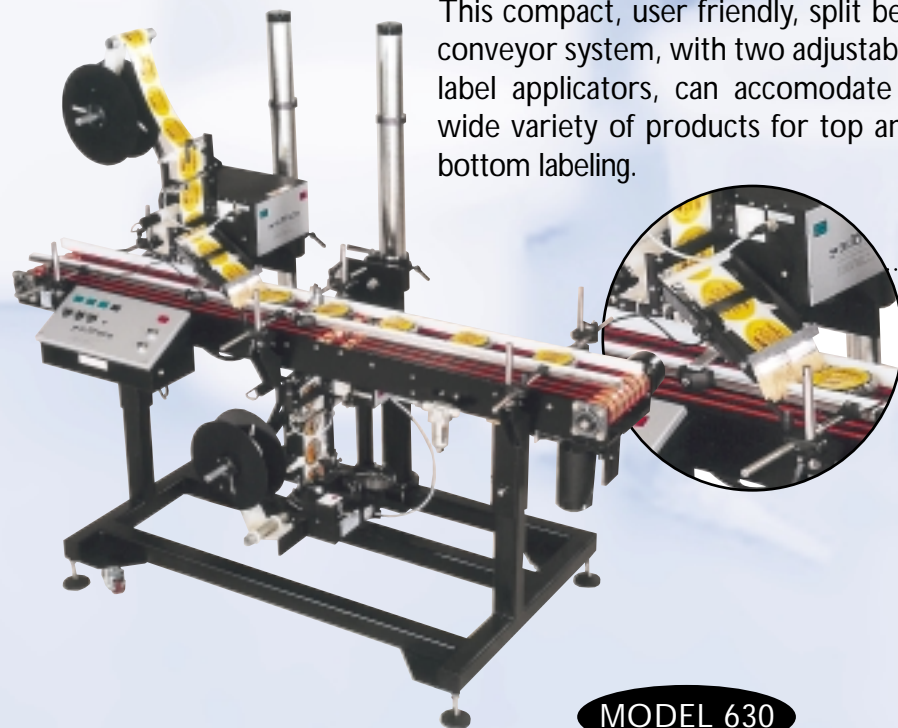


**PROVIDING
COST-EFFECTIVE
LABELING EQUIPMENT
FOR GROWING COMPANIES
SINCE 1967**

FULLY AUTOMATIC LABELING SYSTEMS
Auto Labe's full line of turn-key, economical, automatic labeling systems are designed for various sizes and shapes of products. Labels can be applied to the top, bottom, front or back of various shaped products as well as a full or partial wrap on round products. Quick change over, low maintenance and dependability means less downtime for production. Our systems are built for easy operation and many years of service. Put us to the test and let us design your next labeling system.

**AUTOMATIC TOP AND BOTTOM
LABELING SYSTEM**

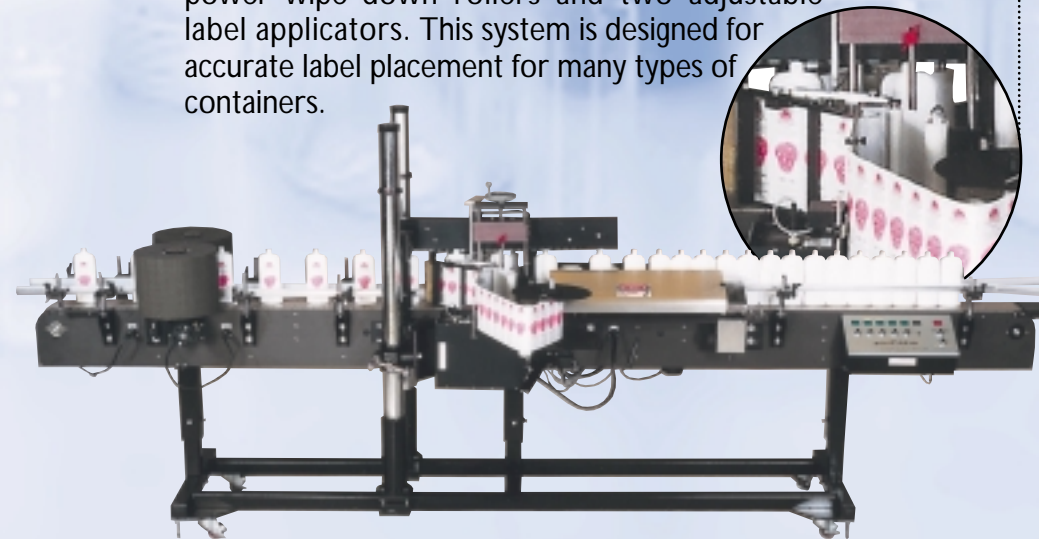
This compact, user friendly, split belt conveyor system, with two adjustable label applicators, can accommodate a wide variety of products for top and bottom labeling.



MODEL 630

**AUTOMATIC FRONT AND BACK
LABELING SYSTEM**

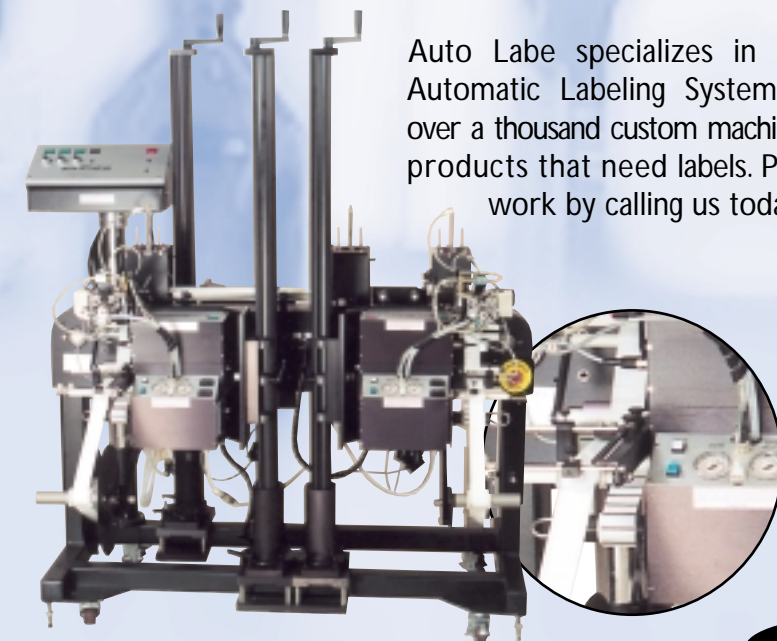
A complete system for front and back labeling of oval, square or rectangular products. Standard features include a feed screw assembly, top hold down belt, control panel, power wipe down rollers and two adjustable label applicators. This system is designed for accurate label placement for many types of containers.



MODEL 680

CUSTOM LABELING SYSTEM

Auto Labe specializes in designing custom Automatic Labeling Systems. We have built over a thousand custom machines for a variety of products that need labels. Put our expertise to work by calling us today!



CUSTOM